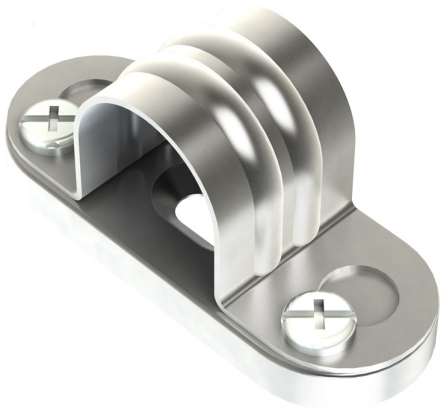


PRODUCT CODE: SBS38G
SPACER BAR SADDLE



DESCRIPTION

1.5" Spacer Bar Saddle

FINISH

BZP

MATERIAL

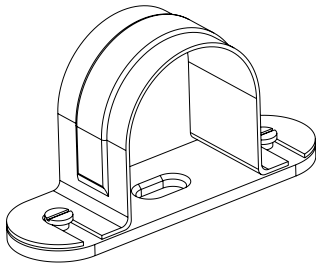
Pressed Steel

PACKAGING

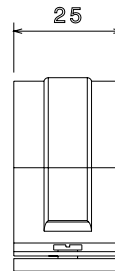
Packed in qty 50

ADDITIONAL NOTES

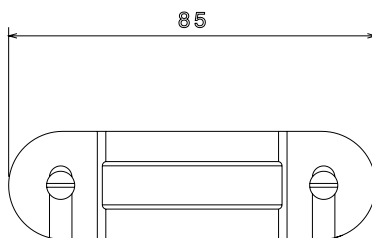
Conforms to BS EN61386-1:2008
Compliant to LU Standard 1-085 (for use on surface & sub-surface locations)



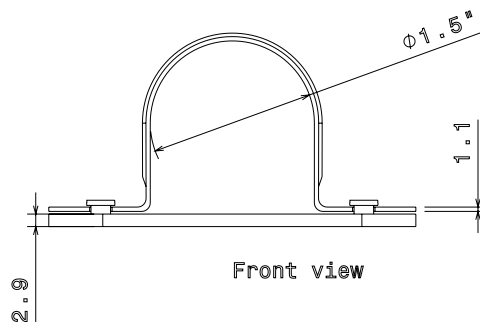
Isometric view



Side view



Top view



Front view